

# SPINSTOP™ D STRIP

## ELIMINATE ROTATING SHANKS

Secure thru-the-wall shanks from loosening and rotating. Micro Matic SPINSTOP™ D Shanks lock into the patented D-hole mounting strip. Easy to install. Effective way to eliminate service calls for loose shanks. Available in three different hole center dimension configurations. Pair with corresponding wall mount drip tray.

### D STRIPS

PART NO.	LENGTH	SHANK HOLES	HOLE CENTERS
DP-WM-MS4-3	11-3/4"	4	3"
DP-WM-MS4-3.5	13-3/4"	4	3-1/2"
DP-WM-MS4-4	15-5/8"	4	4"

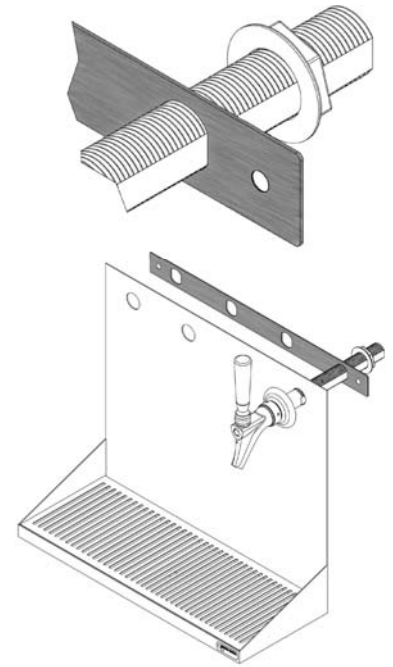
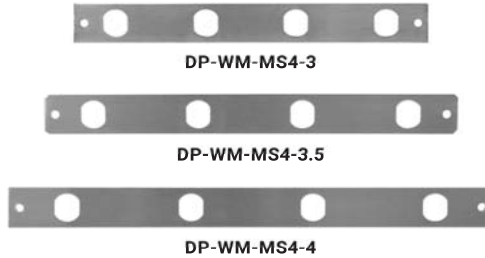


OLD SHANK



SPINSTOP™ SHANK

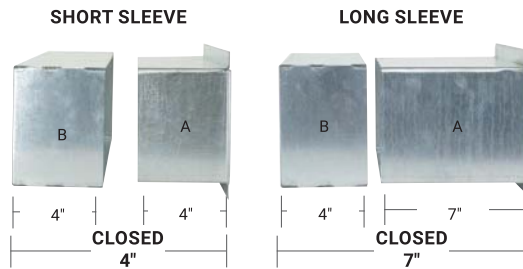
All Micro Matic shanks are machined with patented SPINSTOP™ D hole flats, see page 36.



# SHADOW BOXES

## GALVANIZED METAL CONSTRUCTION

PART NO.	DESCRIPTION
SB490S	14" x 5" I.D. short sleeve
SB490L	14" x 5" I.D. long sleeve
SB491S	20" x 5" I.D. short sleeve
SB491L	20" x 5" I.D. long sleeve
SB492S	23" x 5" I.D. short sleeve
SB492L	23" x 5" I.D. long sleeve



SB490L  
With long sleeve

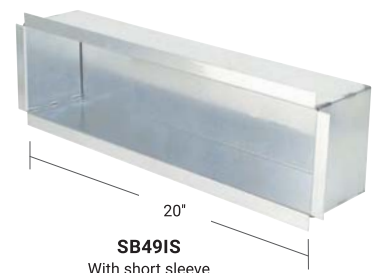
# WALL MOUNT BARREL HEAD

## SOLID OAK BARREL HEAD

PART NO.	DESCRIPTION
JWOKE-JE	Cut from real wood barrels. 18" diameter unfinished surface with no holes. Foam insulation block to keep shanks cold and gasket seals barrel head to wall.

## BARREL HEAD DRIP TRAYS WITH DRAIN

PART NO.	DESCRIPTION
DP-520LD	20"W x 13-1/2"D x 9"H – stainless steel grid



SB491S  
With short sleeve



DP-520LD



JWOKE-JE

Bottom view